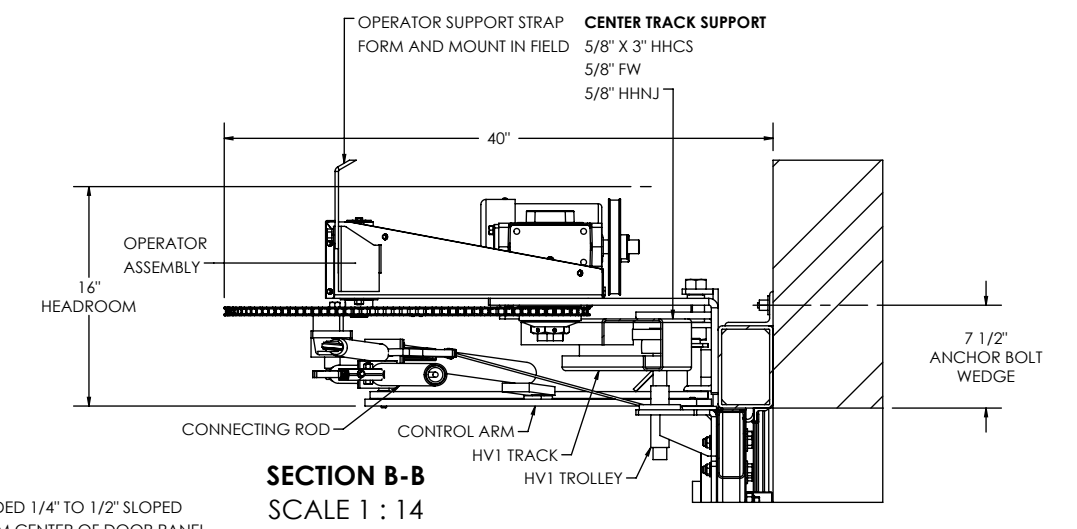
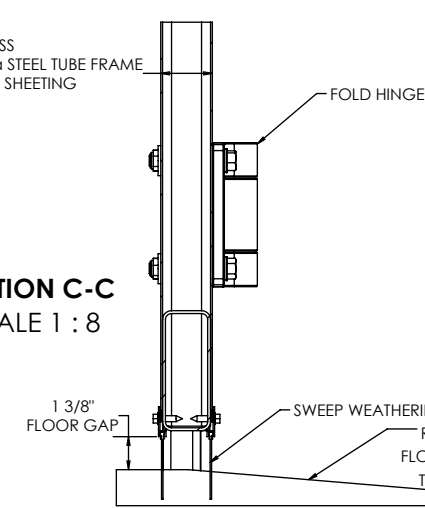
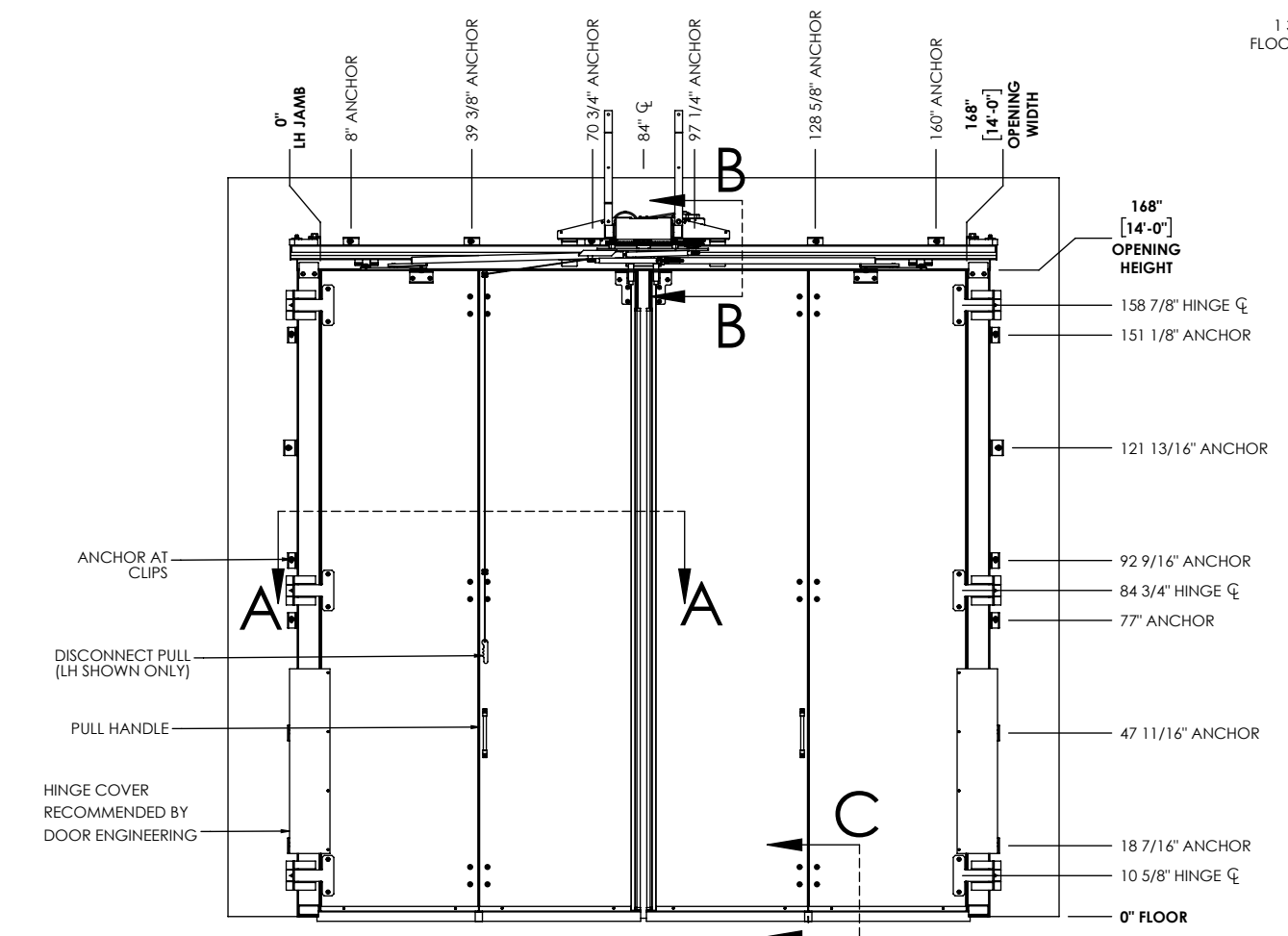


2 1/8" PANEL THICKNESS
ASTM A500 Gr. B 1 1/2" STEEL TUBE FRAME
CR A1008 14 ga STEEL SHEETING
FIBERGLASS BATT. INS.

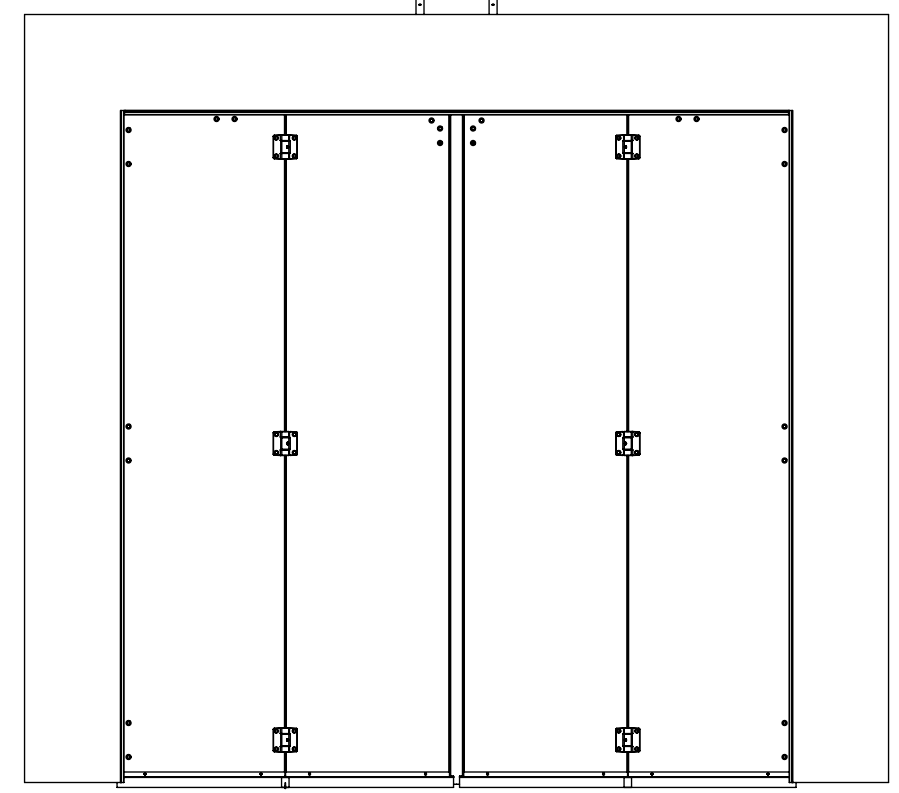
SECTION C-C
SCALE 1 : 8



SECTION B-B
SCALE 1 : 14

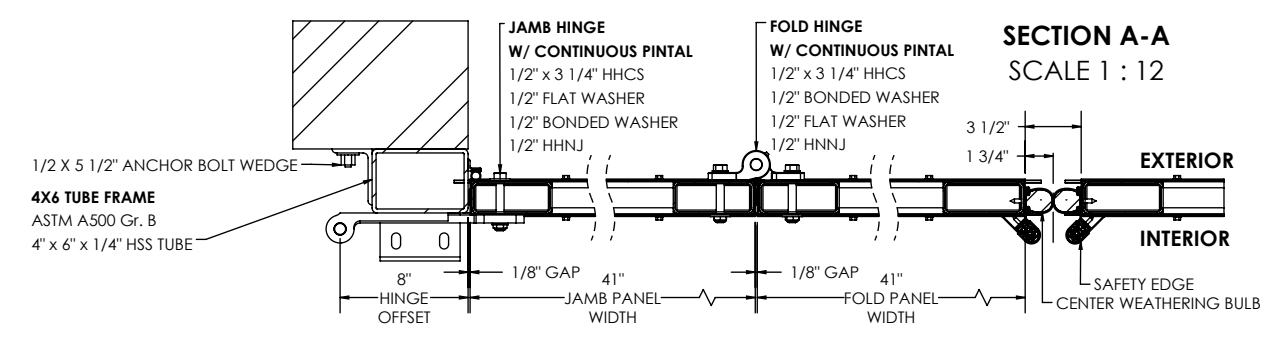


INTERIOR VIEW



EXTERIOR VIEW

**TYPICAL DETAILS FOR 14'x14'
DESIGNED FOR 25 PSF WINDLOADS
CONSULT MANUFACTURER FOR HIGHER
WINDLOADS, ALTERNATE SIZES, AND LAYOUTS**



SECTION A-A
SCALE 1 : 12

| | | | |
|---|------------------------|--|---------------|
| DRAWINGS ARE THE EXCLUSIVE PROPERTY OF DOOR ENGINEERING AND MANUFACTURING, LLC AND CANNOT BE USED IN WHOLE OR PART WITHOUT WRITTEN CONSENT. | | DOOR ENGINEERING A SENNECA COMPANY | |
| MATERIAL | SEE PARTS LIST | THICKNESS | N/A |
| UNLESS OTHERWISE SPECIFIED: | DO NOT SCALE DRAWING | TITLE: FourFold 100 Template | |
| DIMENSIONS ARE IN INCHES | THIRD ANGLE PROJECTION | SIZE | DWG. NO. |
| TOLERANCES: | | B | FF100-1 |
| ANGULAR: ± 2° | | SCALE: 1:48 | MASS: 3334.85 |
| X.X = ± .1 | (1/8") | CHECKED BY | SHEET 1 OF 1 |
| X.XX = ± .03 | (1/32") | NAME | DATE |
| X.XXX = ± .015 | (1/64") | DSM | 12/26/2018 |