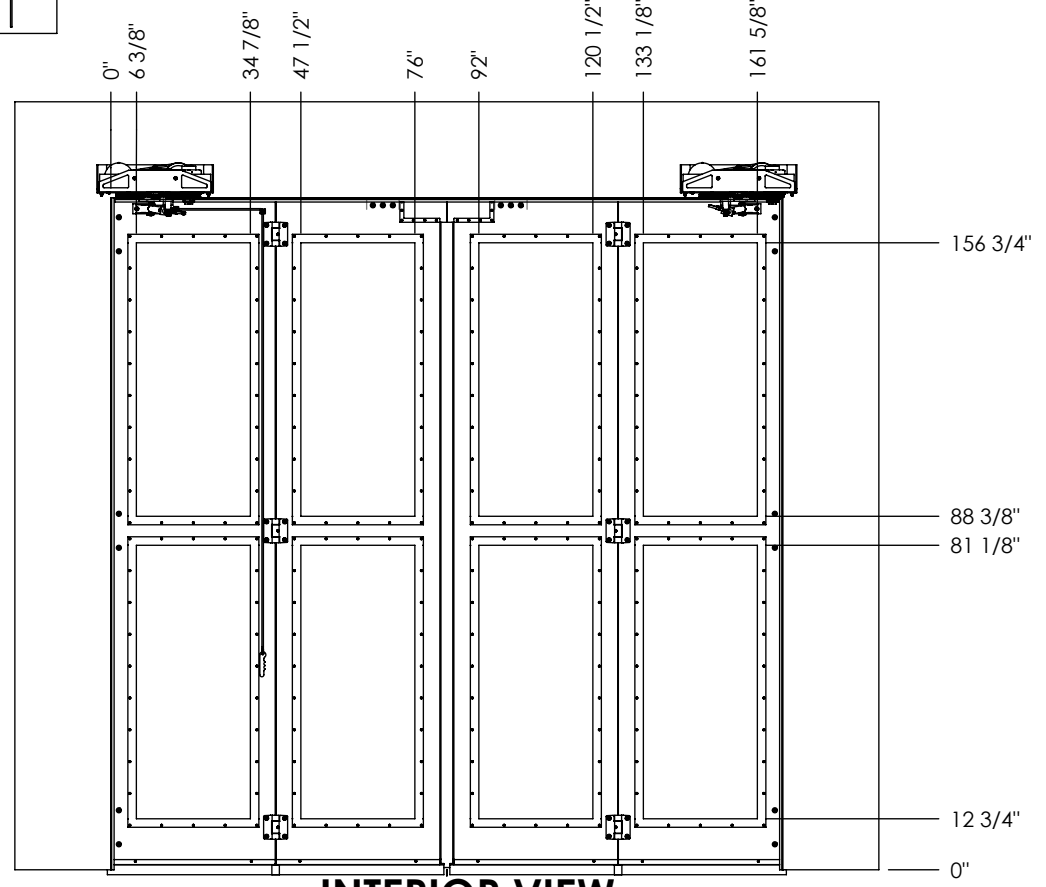
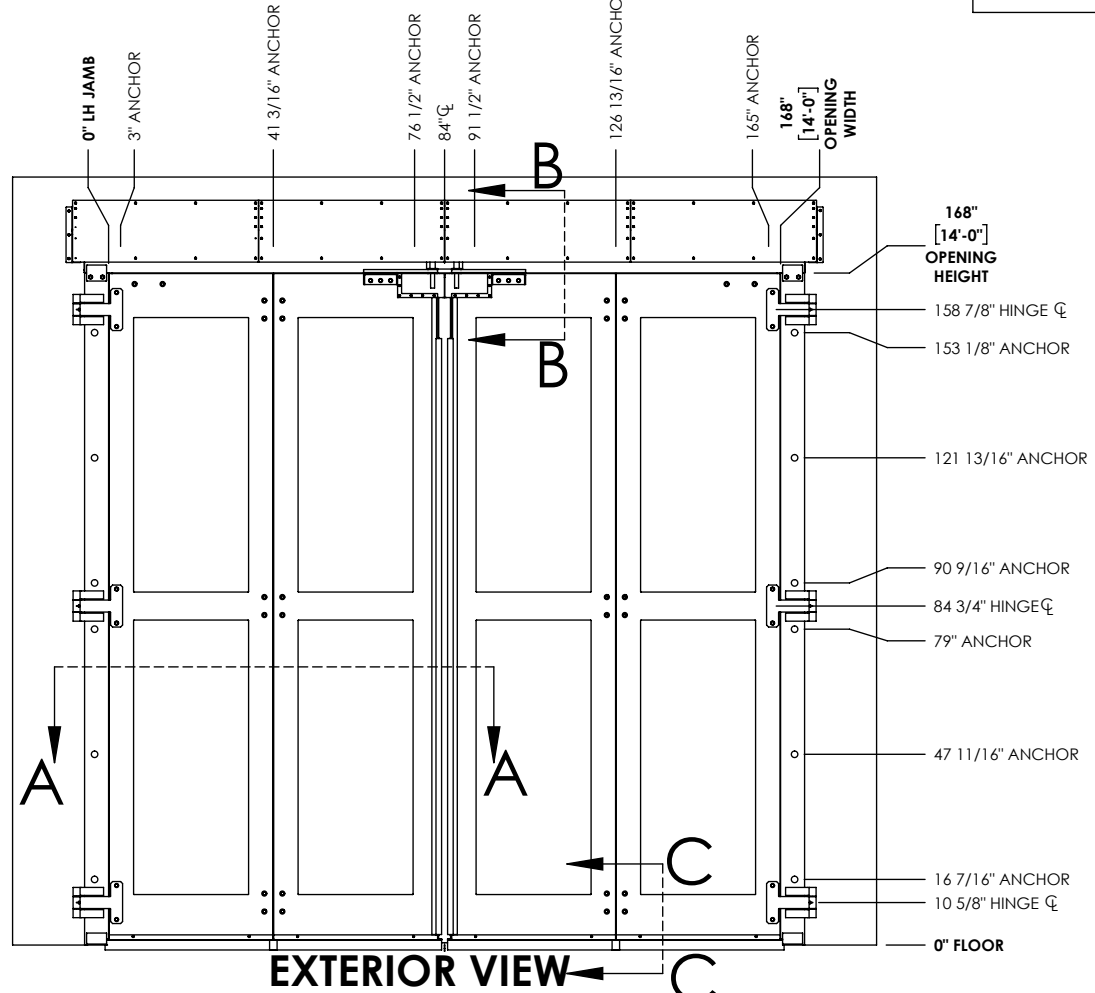
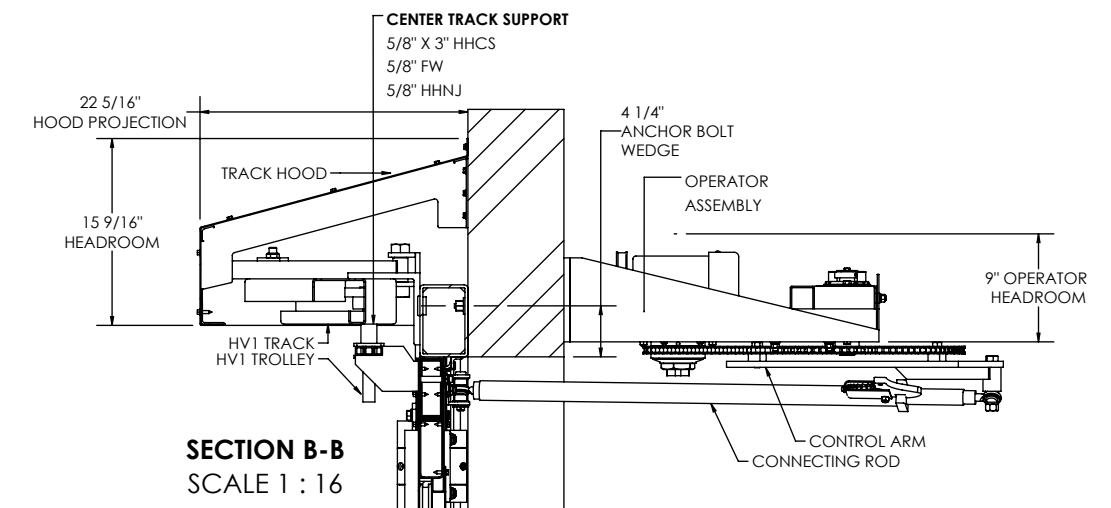
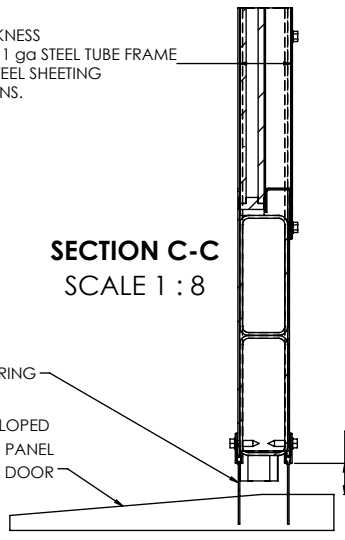
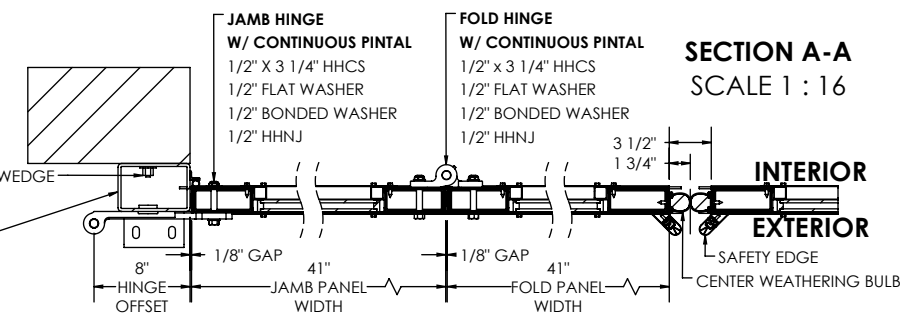


2 1/4" PANEL THICKNESS
 ASTM A500 gr. b 11 ga STEEL TUBE FRAME
 CR a1008 14 ga STEEL SHEETING
 FIBERGLASS BATT. INS.

SECTION C-C
 SCALE 1 : 8



TYPICAL DETAILS FOR 14'x14'
 DESIGNED FOR 25 PSF WINDLOADS
 CONSULT MANUFACTURER FOR HIGHER
 WINDLOADS, ALTERNATE SIZES, AND LAYOUTS



DRAWINGS ARE THE EXCLUSIVE PROPERTY OF DOOR ENGINEERING AND MANUFACTURING, LLC AND CANNOT BE USED IN WHOLE OR PART WITHOUT WRITTEN CONSENT.



| | | | |
|---|--|------------------------|---------------|
| MATERIAL | | THICKNESS | |
| SEE PARTS LIST | | N/A | |
| UNLESS OTHERWISE SPECIFIED: DIMENSIONS ARE IN INCHES | | DO NOT SCALE DRAWING | |
| TOLERANCES: ANGULAR: ± 2° X.X = ± .1 (1/8") X.XX = ± .03 (1/32") X.XXX = ± .015 (1/64") | | THIRD ANGLE PROJECTION | |
| TITLE: FourFold 300XT Template | | SIZE | DWG. NO. |
| DRAWN BY DSM | | DATE 12/27/2018 | REV 1 |
| CHECKED BY | | SCALE: 1:48 | MASS: 3945.01 |
| | | SHEET 1 OF 1 | |