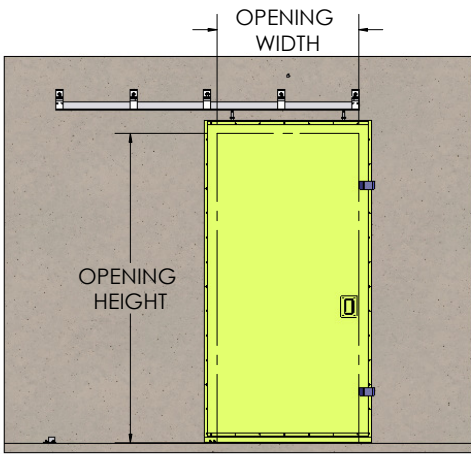
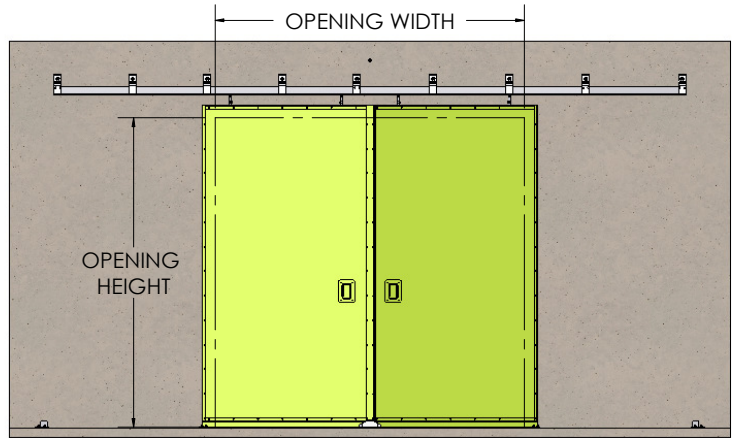
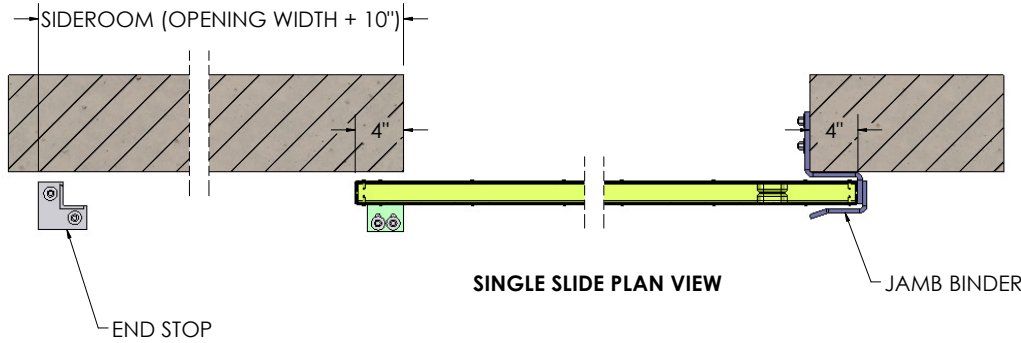


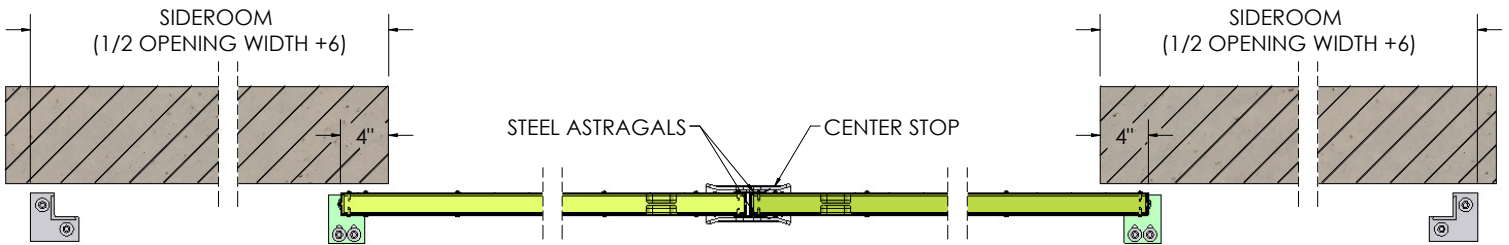
NTH 2700 GENERAL LAYOUT
NON LABELED, TOP HUNG SLIDER



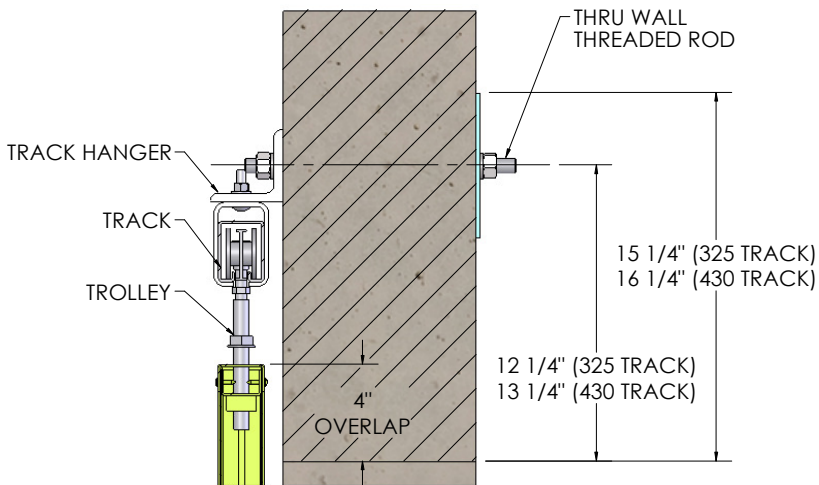
SINGLE SLIDE



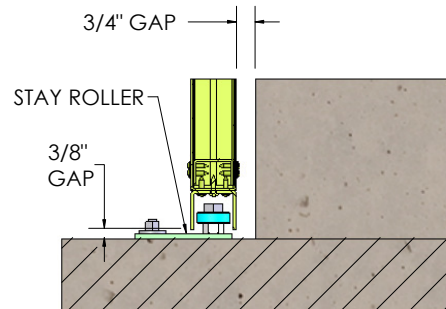
BI-PARTING



BI-PARTING PLAN VIEW



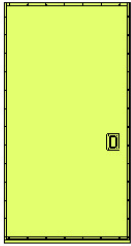
HEADER DETAIL



SILL DETAIL

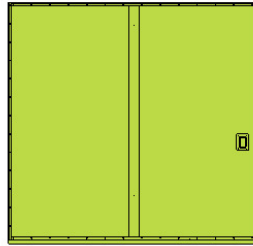
This layout is designed as a guide for required clearances for our typical non labeled Sliding Door Systems. Contact us to discuss the wide variety and options available for custom clearance requirements or nonstandard opening sizes.

SINGLE PANEL, SINGLE SLIDE



0'-0"(0") to 3'-8"(44")

TWO PANEL, SINGLE SLIDE

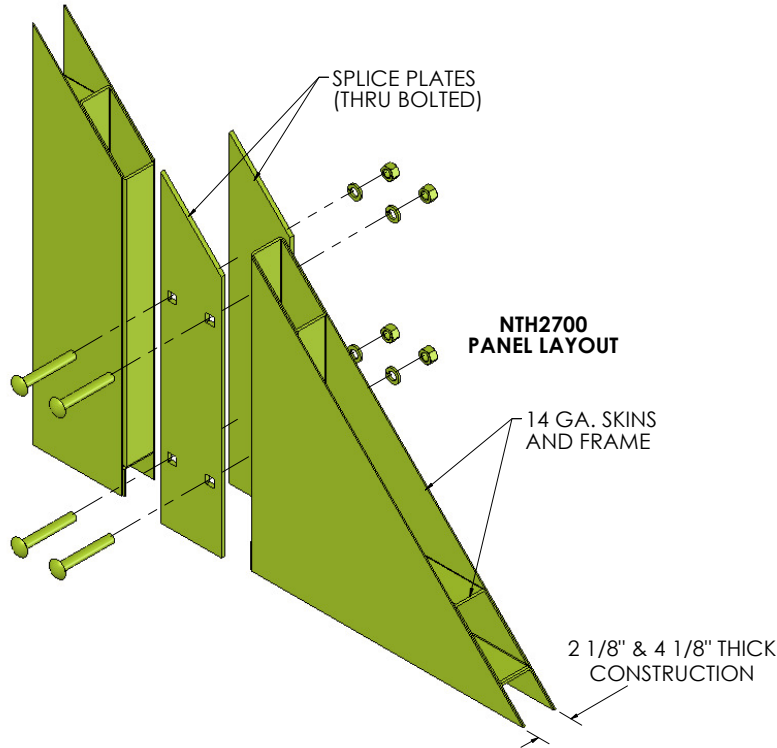


3'-9"(45") to 8'-0"(96")

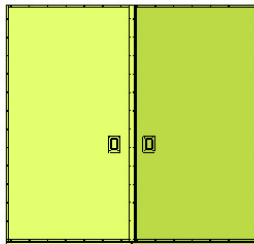
THREE PANEL, SINGLE SLIDE



8'-1"(97") to 12'-4"(148")

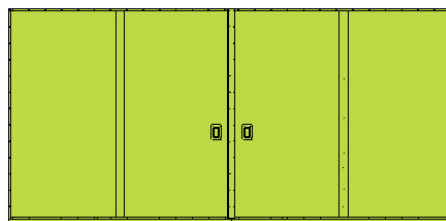


TWO PANEL, BI-PARTING



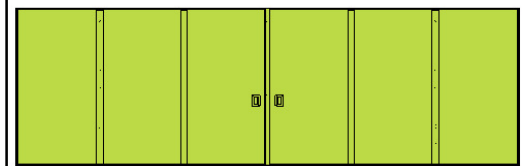
0'-0"(0") to 8'-0"(96")

FOUR PANEL, BI-PARTING



8'-1"(97") to 16'-8"(200")

SIX PANEL, BI-PARTING



16'-9"(201") to 25'-4"(304")

NTH2700(TUBE FRAME) - Tube frame construction, recommended for larger openings and higher loads (ie. windload or blast loads).

OPERATORS - Contact Door Engineering & Manufacturing for information regarding power operators and controls.